



Computing (Computer Science) – Year 4

How do electrical appliances work?

Big Idea:

Electrical appliances are programmed to work by humans and can be started and stopped in different ways.

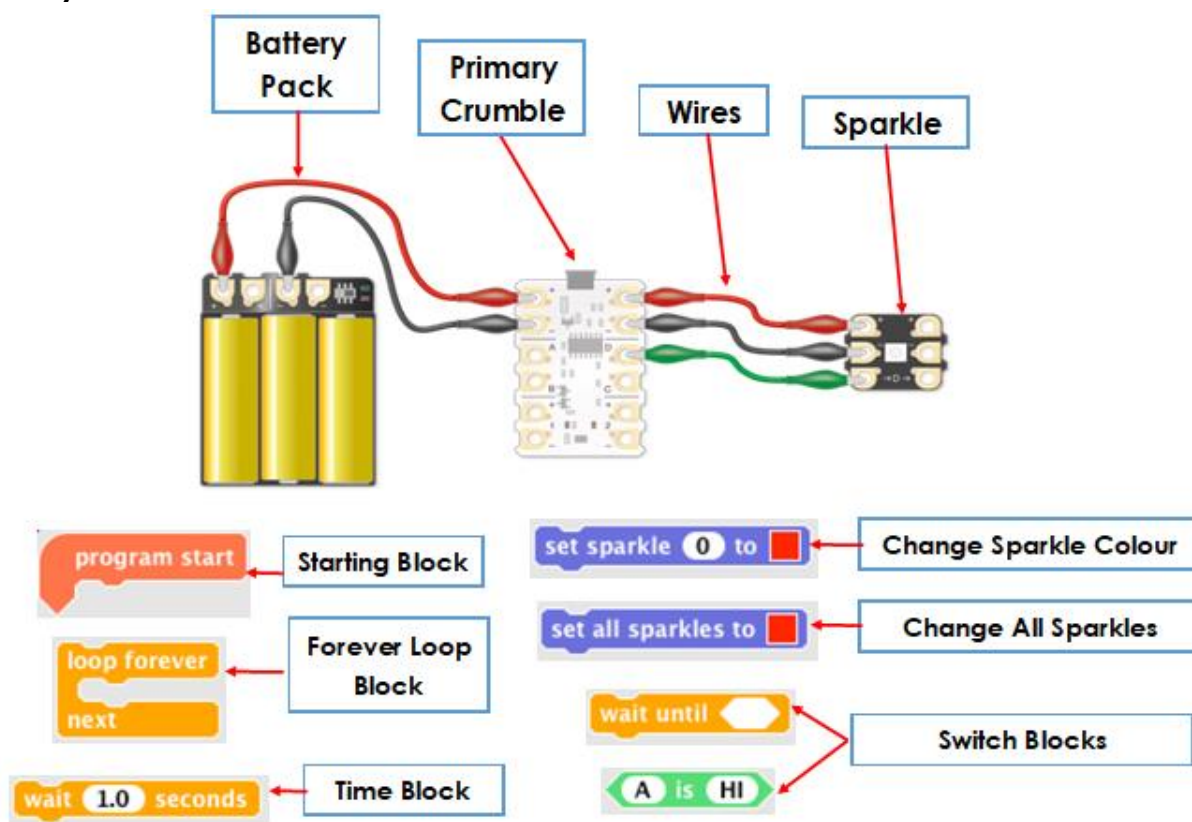
What should I already know?

- How to use loops and procedures when programming an algorithm.

What will I know by the end of this unit?

- Write and debug a program controlling physical systems.
- Be able to program an electrical circuit to turn on/off depending on the input.

Primary Crumbles:



Key vocabulary:

Input	The action performed by a user on a device.
Output	The action performed by the device.
Appliance	A device or piece of equipment devised to perform an specific action.
Circuit	The way electrical parts are put together in a device.
Switches	The part of a circuit used to switch it on and off.
Crumble	A programmable device.
Hardware	The physical components of a machine/device.
Software	The programs and algorithms used to make a machine/device function.